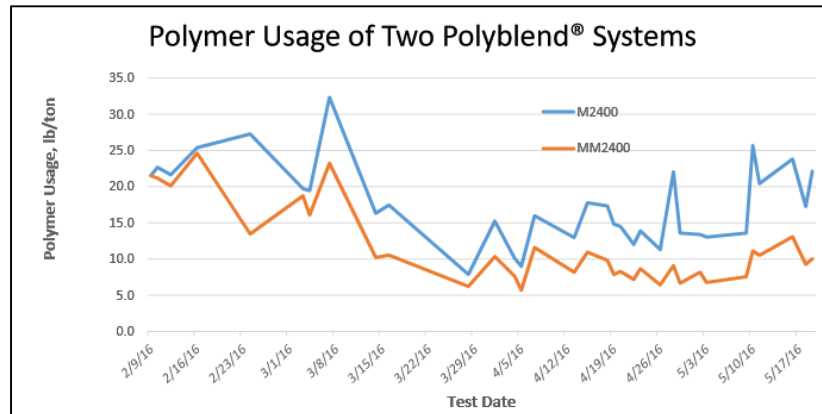


NEW Polyblend® Polymer Activation Systems MAGNUM mix chamber increases polymer activation efficiency by up to 30%

Easy to install retrofit units available for legacy M-Series Polyblend® units

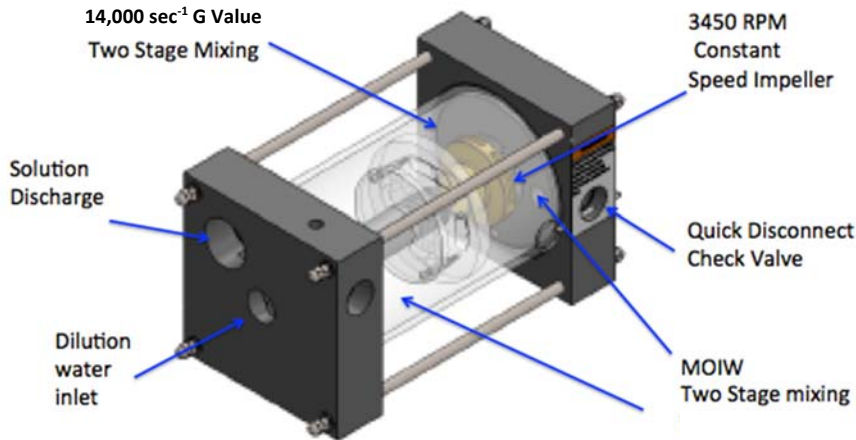
UGSI Solutions, Inc. is pleased to introduce and release the new Polyblend® MAGNUM mix chamber* for immediate sale. Specifically, the MAGNUM mix chambers are available for sale as a retrofit to existing M-Series emulsion polymer activation units (models M240-M2400) or as a completely **new** M-Series unit.

The MAGNUM mix chamber represents a purposeful evolution of the Polyblend® polymer activation family of systems by improving the existing industry standard setting designs. Real-world testing has demonstrated that the new Magnum mix chamber design achieves even higher viscosity solutions than legacy mix chamber configurations by enhancing the proven two-zone mixing energy profile with the $14,000 \text{ sec}^{-1}$ G-Value that is currently available on all M-Series units. The carefully sized volume of the MAGNUM low energy mix zone increases polymer residence time and accelerates the “hydration/relaxation” of the activated polymer chains resulting in increased viscosity and ultimate performance.



Key MAGNUM Product Features:

- High Energy/Low Energy Mixing Profile
 - Ratio of low-to-high energy mix zone volume was increased to increase residence time (T)
 - High-energy mixing at the moment-of-initial-wetting (MOIW) to achieve maximum hydration (high viscosity) of the polymer particle in the shortest time
- Direct coupled 3,450 RPM motor
 - Eliminates the need for shaft alignment
- Quick Disconnect on the neat polymer injection check-valve (now available on all models as a separate kit)
 - Eliminates the need for tools to access the check-valve for periodic cleaning



The new MAGNUM mix chamber was field-tested adjacent to an existing Polyblend® polymer activation system M-Series unit and was able to **exceed the solution viscosity by 10% and decrease polymer consumption by more than 30%**.

Field Retrofits

MAGNUM mix chambers will be available for field retrofits for existing M240-M2400 M-Series units. With over 5,000 Polyblend® M-Series units in the field, the MAGNUM retrofit kit represents an opportunity to deliver a step-change in polymer efficiency.

Availability

The MAGNUM mix chamber retrofit kits for existing units and NEW Polyblend® M-Series units are available for immediate sale. Please contact your local Polyblend® polymer activation systems representative or contact us directly at:

UGSI Chemical Feed
1901 West Garden Rd.
Vineland, N.J. 08360
Toll Free: 855-669-3845
Local: 856-896-2160
Fax: 856-457-5920
Email: info@ugsichemicalfeed.com

PolyBlend® Magnum
Polymer Feed Systems